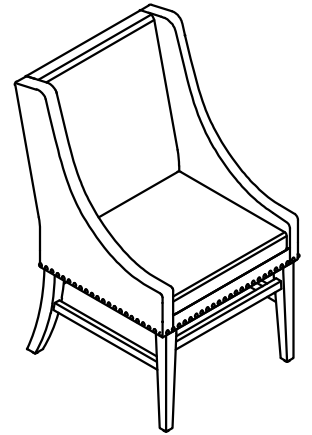


Warning :

- Be sure to check all packing material carefully for small parts, which may have come loose inside the carton during shipment.
- To prevent possible scratches and damage, this furniture must be assembled on a soft surface such as a blanket or carpet.

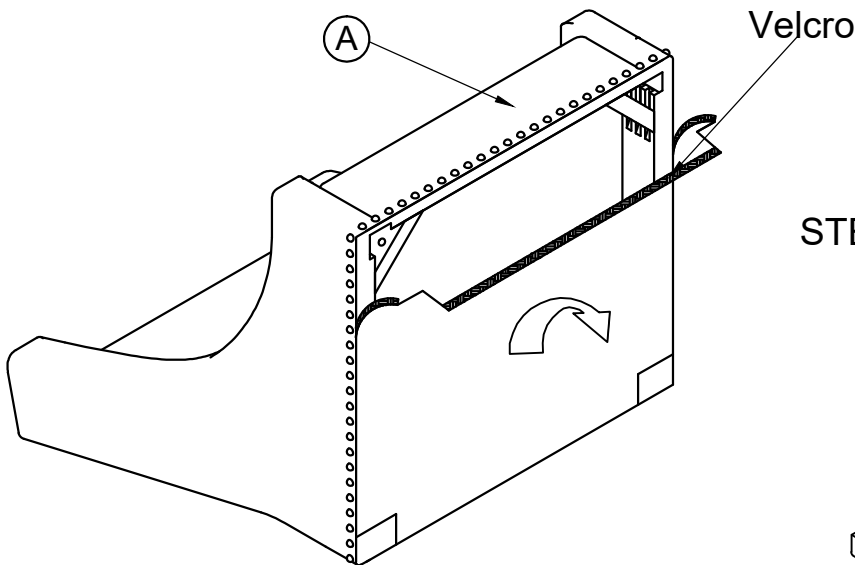


92640 / 41 / 42
Host Uph Chair

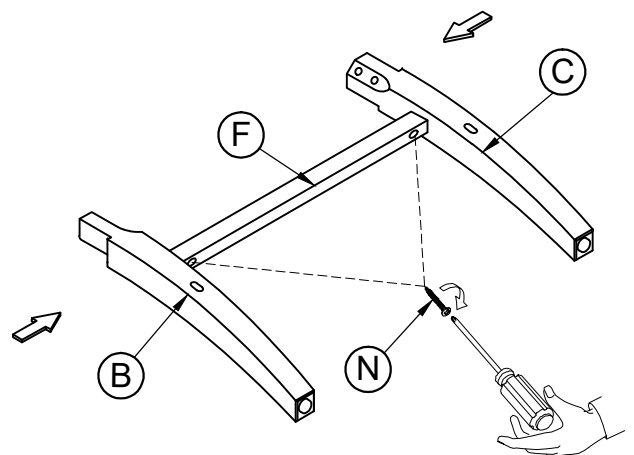
Components and Hardware List

Seat Frame <p>(A) 1 pc.</p>	Back Leg (Left) <p>(B) 1 pc.</p>	Back Leg (Right) <p>(C) 1 pc.</p>	Front Leg (Left) <p>(D) 1 pc.</p>	Front Leg (Right) <p>(E) 1 pc.</p>		
Back Stretcher 19-7/8" x 1-1/4" x 3/4" <p>(F) 1 pc.</p>	Front Stretcher 19-7/8" x 1-1/4" x 3/4" <p>(G) 1 pc.</p>	Side Stretcher (Left) 19-1/2" x 1-1/4" x 3/4" <p>(H) 1 pc.</p>	Side Stretcher (Right) 19-1/2" x 1-1/4" x 3/4" <p>(I) 1 pc.</p>	Allen Head Bolt Ø5/16" x 18 x 2-1/8" <p>(J) 8 pcs.</p>	Ø5/16" Spring Washer <p>(K) 8 pcs.</p>	Ø5/16" Flat Washer <p>(L) 8 pcs.</p>
4mm Allen Key <p>(M) 1 pc.</p>	Wood Screw Ø4x45 mm <p>(N) 8 pcs.</p>	Screw Driver not included 	Upholstery Tack <p>6 pcs.</p>			

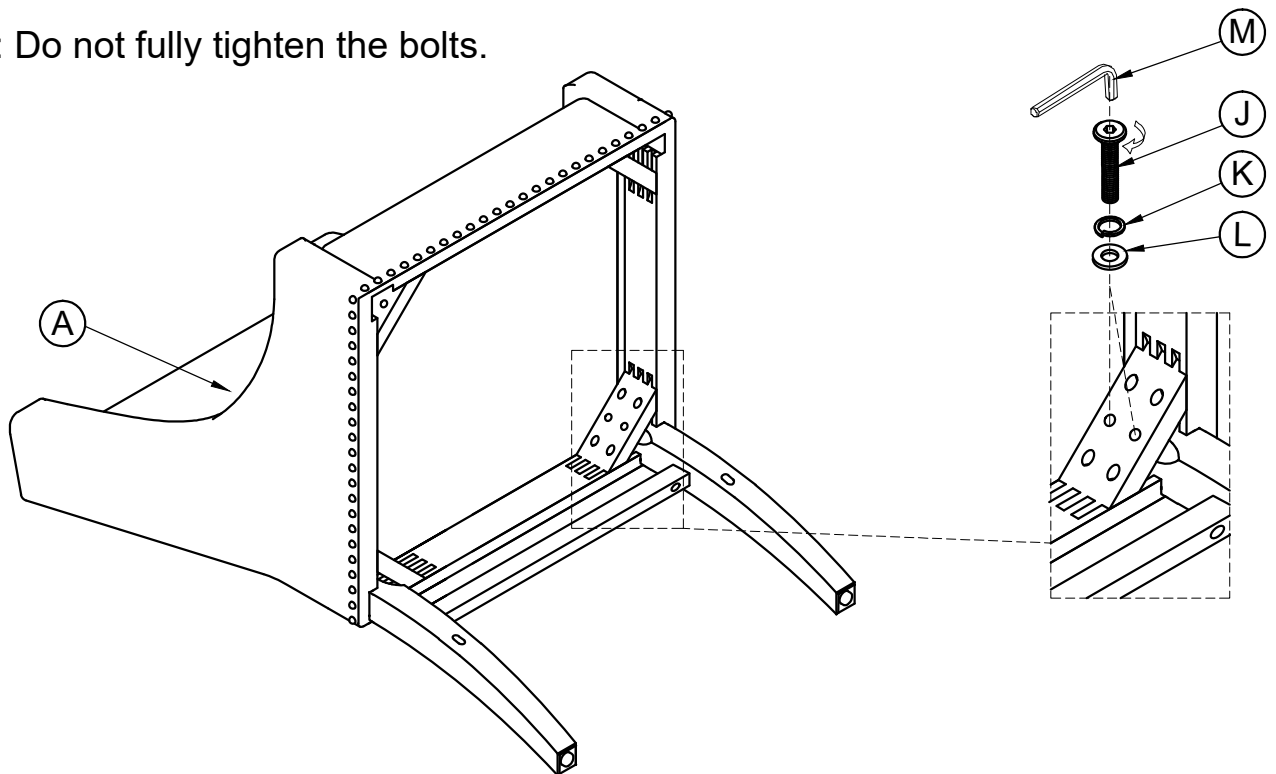
STEP 1: Remove Velcro strips on the seat frame to assemble the legs.



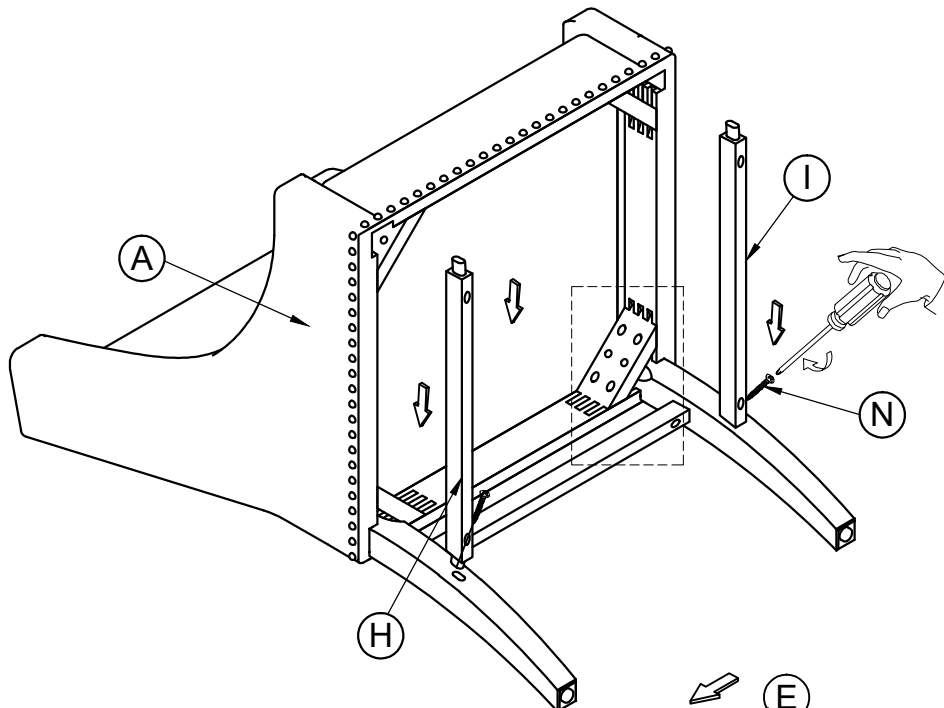
STEP 2: Do not fully tighten the screws.



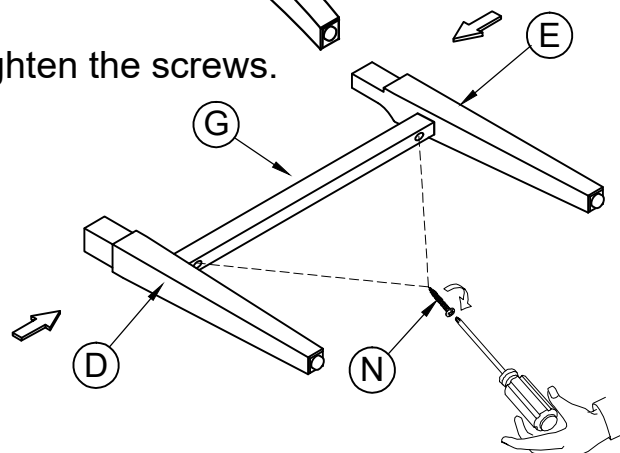
STEP 3: Do not fully tighten the bolts.



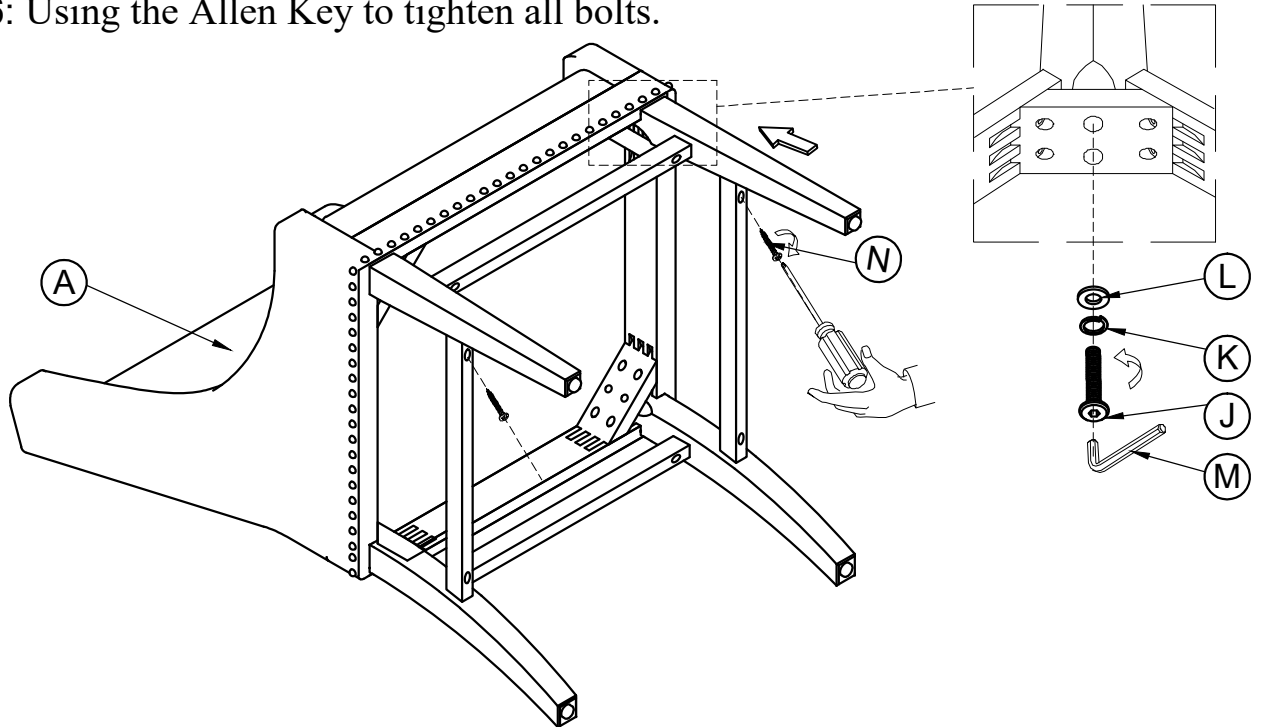
STEP 4: Do not fully tighten the screws.



STEP 5: Do not fully tighten the screws.

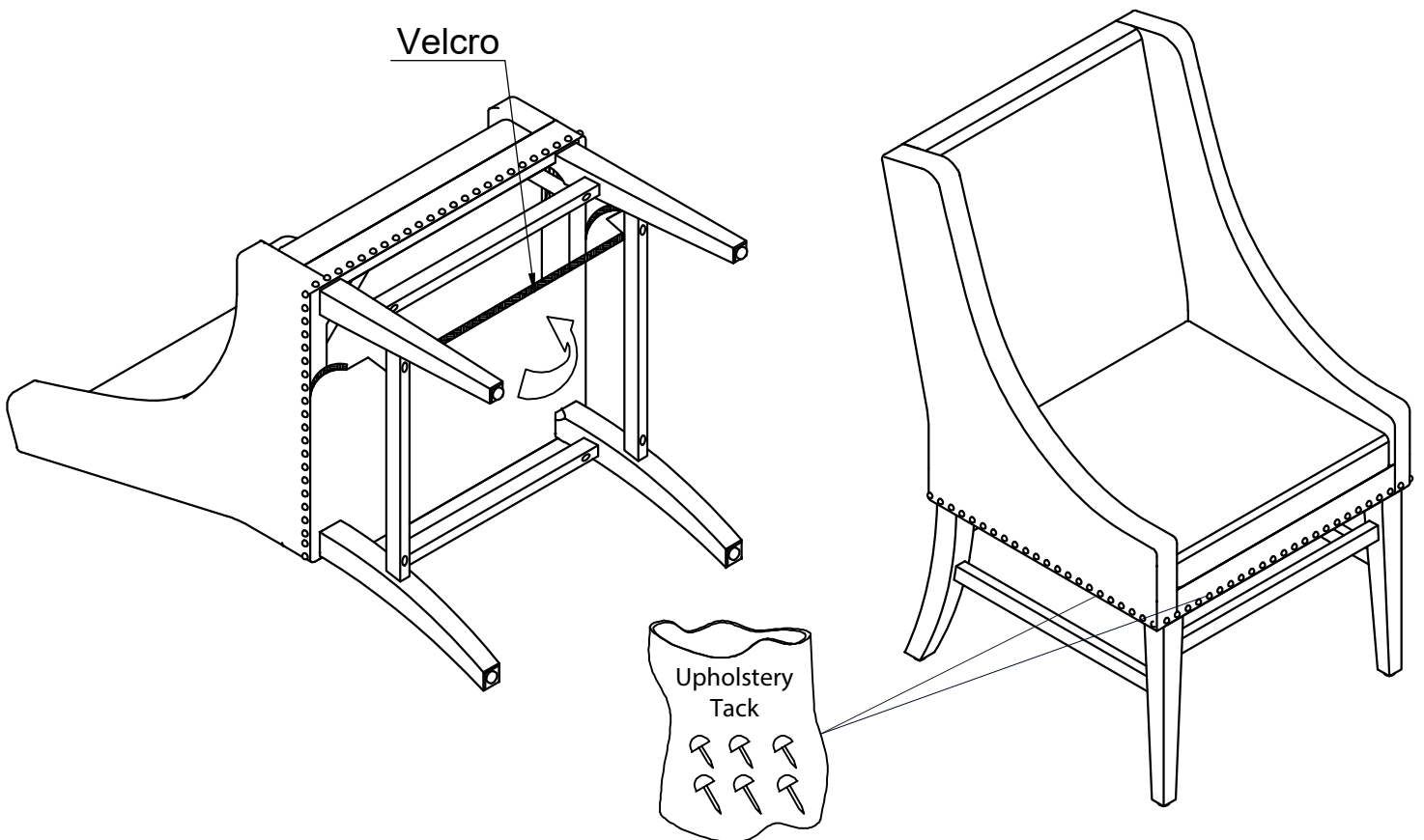


STEP 6: Using the Allen Key to tighten all bolts.



STEP 7: Using the Philips Head Screw driver to tighten all screws.

STEP 8: Attach all Velcro strips to the seat frame.



If a tack comes loose, use a hammer to tap it back into place or replace it with a new one.

COMPLETE